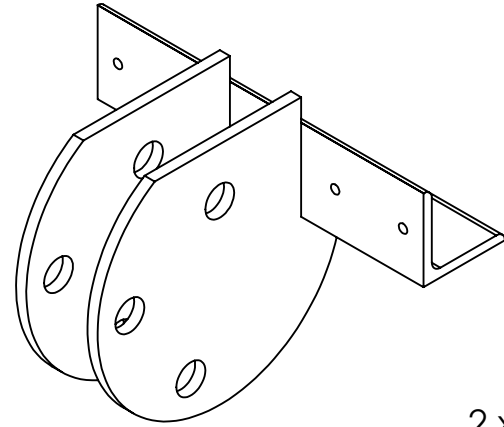


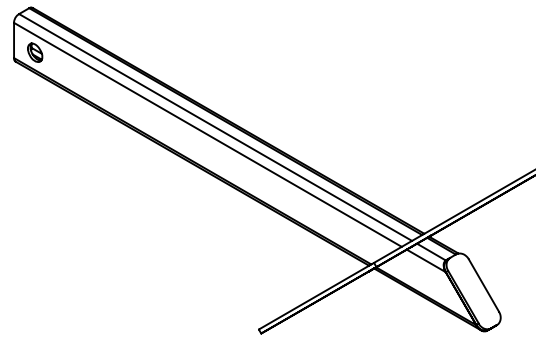
PARTS LIST:

A



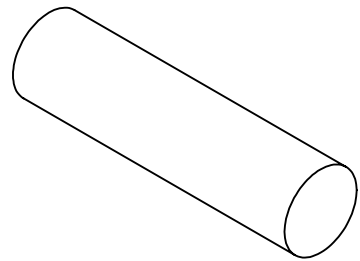
2 x Mounting Brackets

B



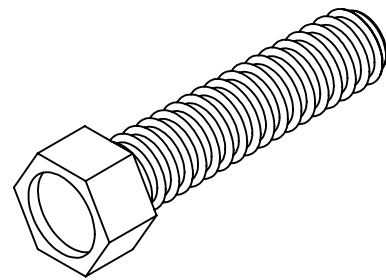
2 x Stinger Arms

C



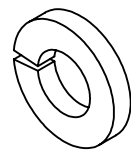
4 x Locking Pins

D



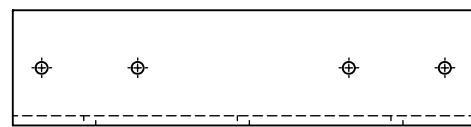
14 x 3/8" Self-Tapping Screws

E



14 x 3/8" Lock Washers

F



1 x Hole Placement Template

*** - WELD BRACKETS TO TRAILER FRAME for permanent installation and best results.**



HAY STINGERS

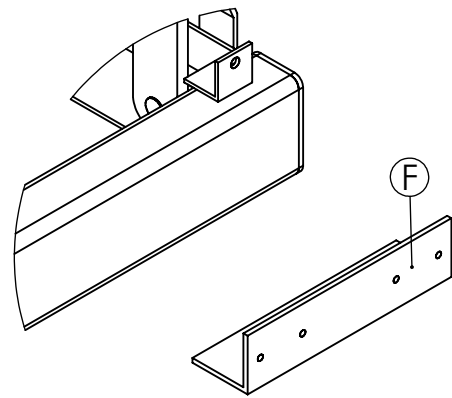
INSTALLATION INSTRUCTIONS

Watch the HAY STINGER installation at www.HAYSTINGERS.com

Questions? Call Gobob Pipe @ 866-864-2102

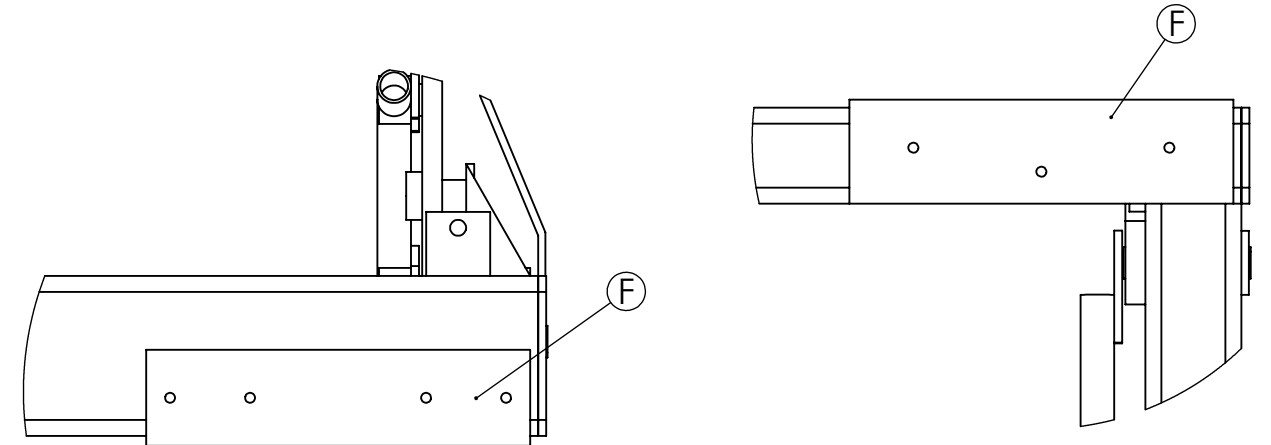
STEP 1

Place template on rear of wheel base



STEP 2

Mark holes on wheel base with template



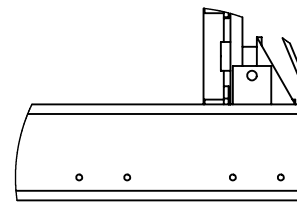
REAR VIEW

BOTTOM VIEW

NOTE: It's strongly recommended to weld-on, see website

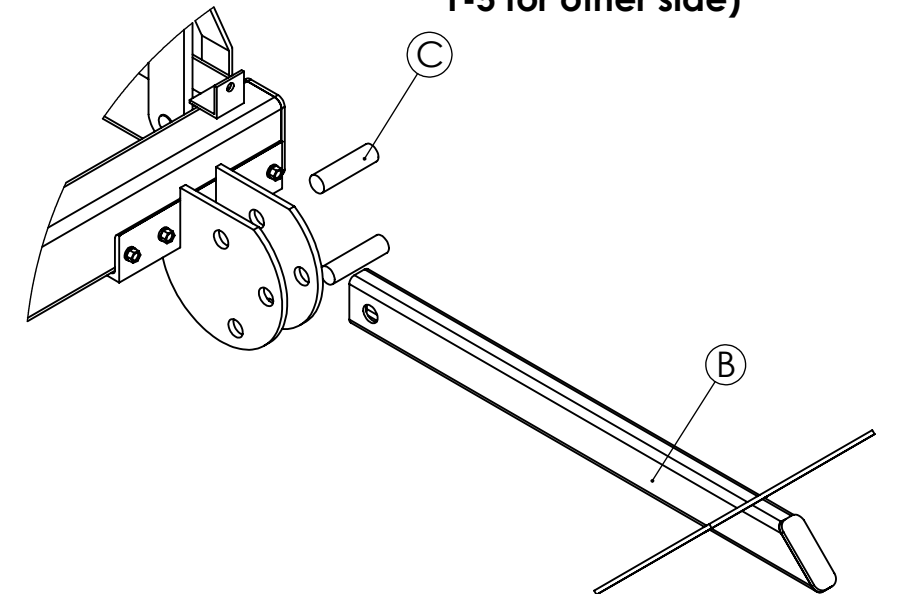
STEP 3*

Drill 5/16" holes in marked locations



STEP 5

Line up arm with the top hole of the bracket and slide locking pin in (**Repeat steps 1-5 for other side**)



STEP 4

Mount bracket onto wheel base with screws and washers

